

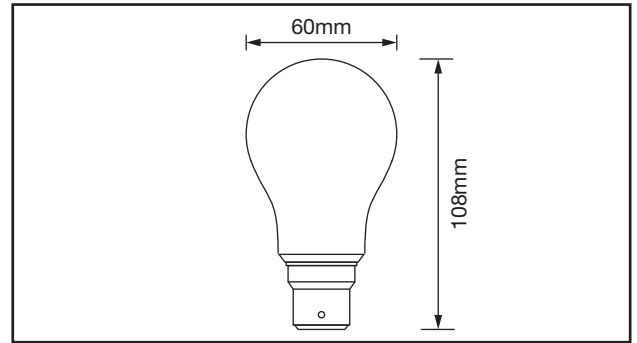
AGLS901BCD

9W B22 Dimmable
LED GLS Lamps

Triumph

PRODUCT FEATURES

- Perfect Replacement For Incandescent GLS Lamps
- Dimmable
- 360° Omni-Directional Light Distribution
- Provides Uniform Lighting
- Designed To Emulate Traditional Light Source



TECHNICAL SPECIFICATIONS

PRODUCT CODE	AGLS901BCD/30	AGLS901BCD/60
Rated Power	9W	9W
Lumens	825lm	850lm
Beam Angle	200°	200°
CRI	80	80
Lifetime	25,000 Hrs	25,000 Hrs
Operating Temperature	-20°C ~ 40°C	-20°C ~ 40°C
Voltage	220-240V	220-240V
Power Factor	0.8	0.8
Peak Intensity	110cd	110cd
Frequency	50Hz	50Hz
Switching Cycles	100,000	100,000

WARM WHITE
3000K

BRIGHT DAY LIGHT
6000K

B22

25,000H

SMD LED

CLASS 2

240V AC

≤850lm

200°

9W

DIM

2 YEAR
GUARANTEE

F